

FlexiRamp™

conversions without limits



Alfred Bekker Mobility



ZeroEffort



Ford Tourneo Connect and Connect Grand

0800 334 5126
sales@alfredbekker.com
alfredbekker.com

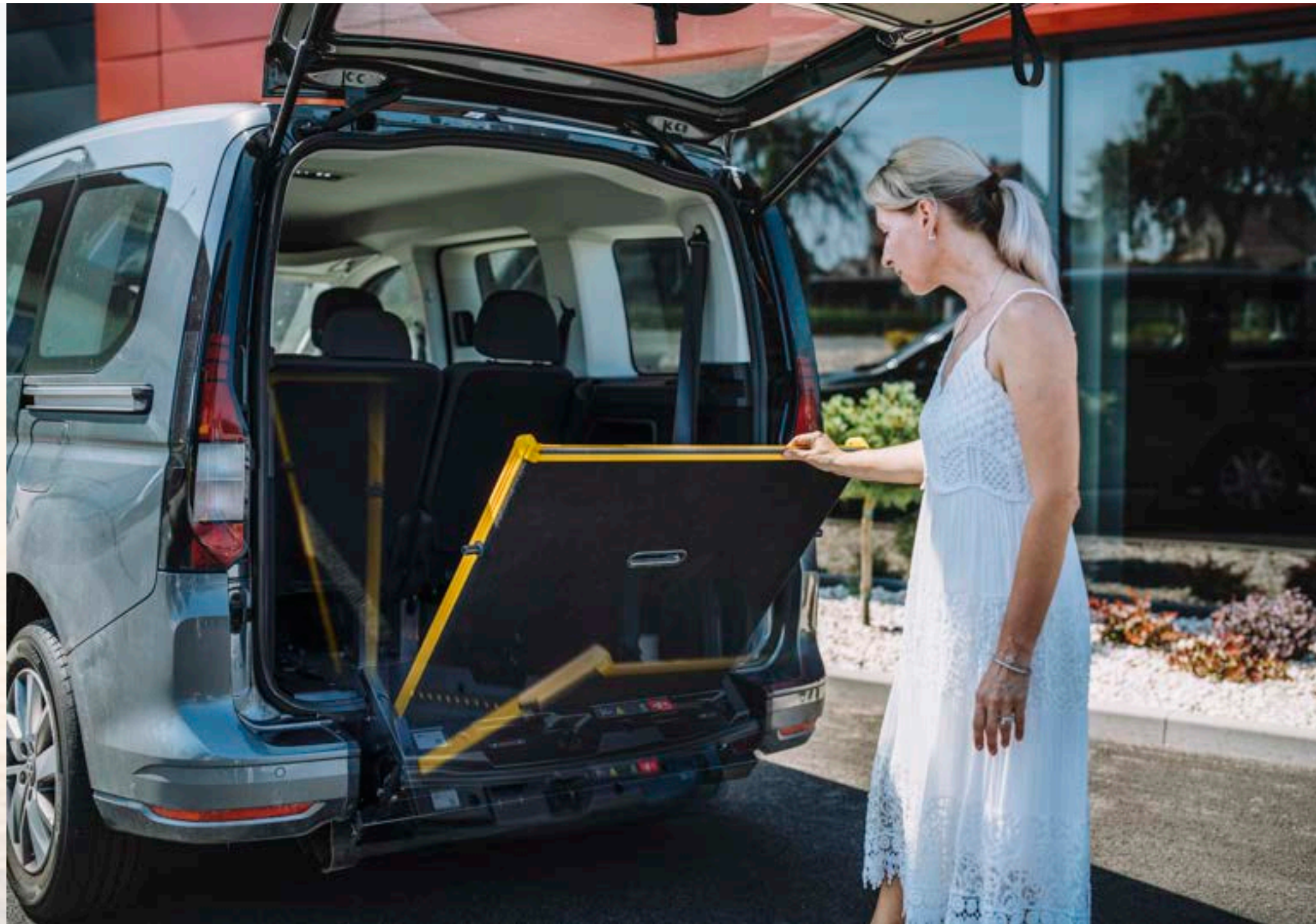


The legendary FlexiRamp with further enhanced functionality for simple and effortless operation



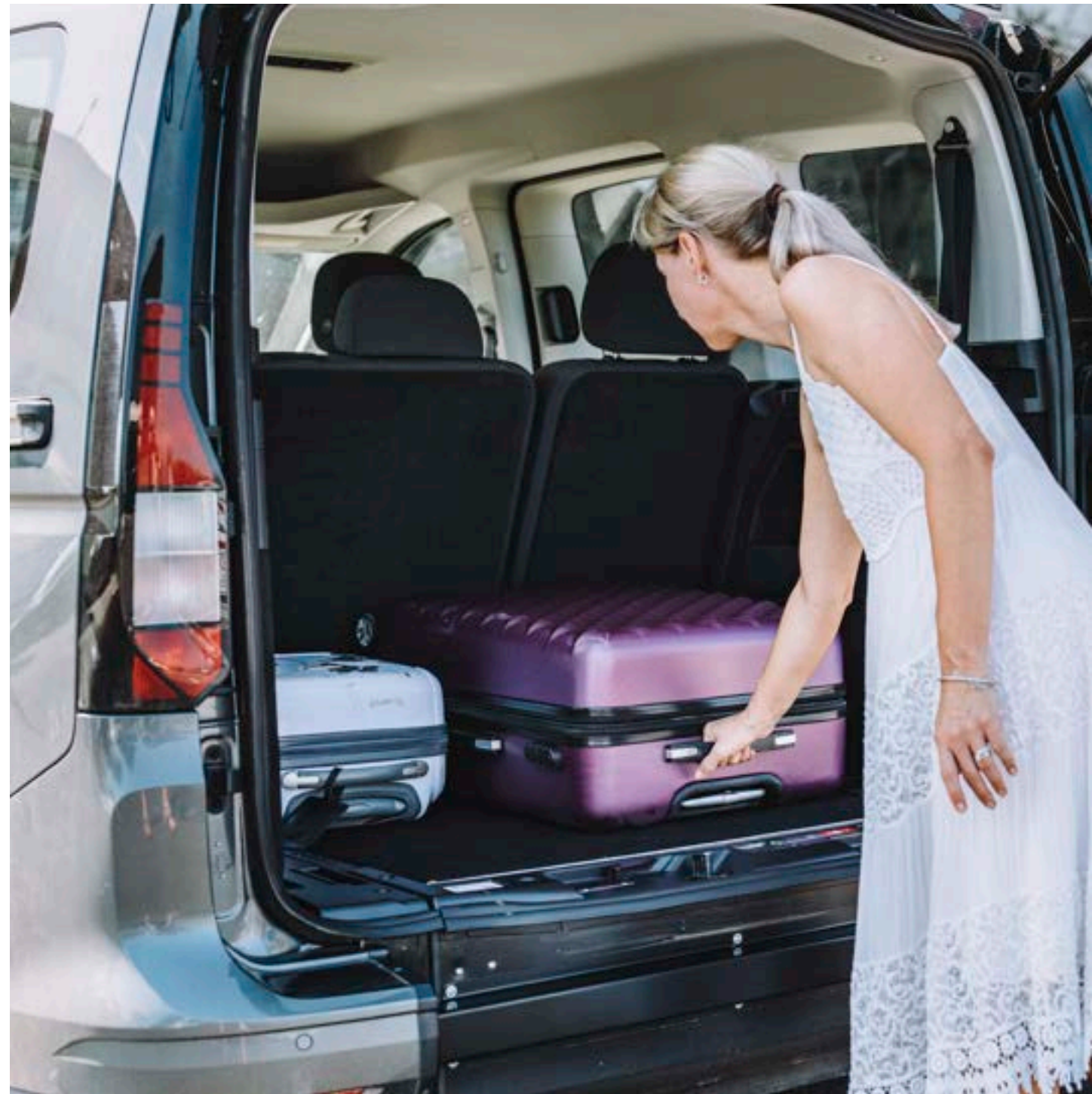
ZeroEffort

The new patented UpLifter™ functionality, in combination with a fully balanced ramp in all positions, delivers uncompromised handling and comfort as well as setting new standards for wheelchair accessible vehicles. Truly a ZeroEffort™ system.



We care about your comfort and safety.

Throughout the new vehicle design process, we always look at how to increase levels of comfort and safety. The new Tourneo Connect Flexiramp™ comes with many new features and improvements, which we're confident you will appreciate in your daily usage of the vehicle.



The unique patented rear impact protection system significantly increases the safety of the vehicle occupants.



Optional



Optional alternative style of rear restraint

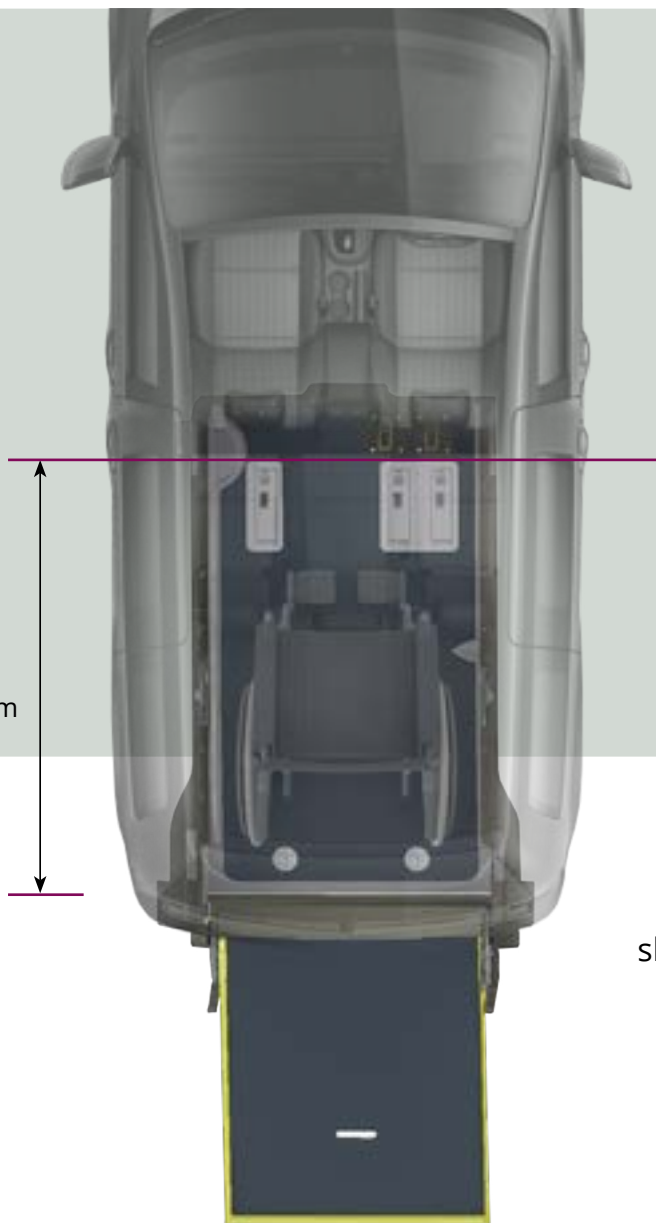


3 DIFFERENT SIZES for all your needs

CONNECT



1 350 – 1 490 mm

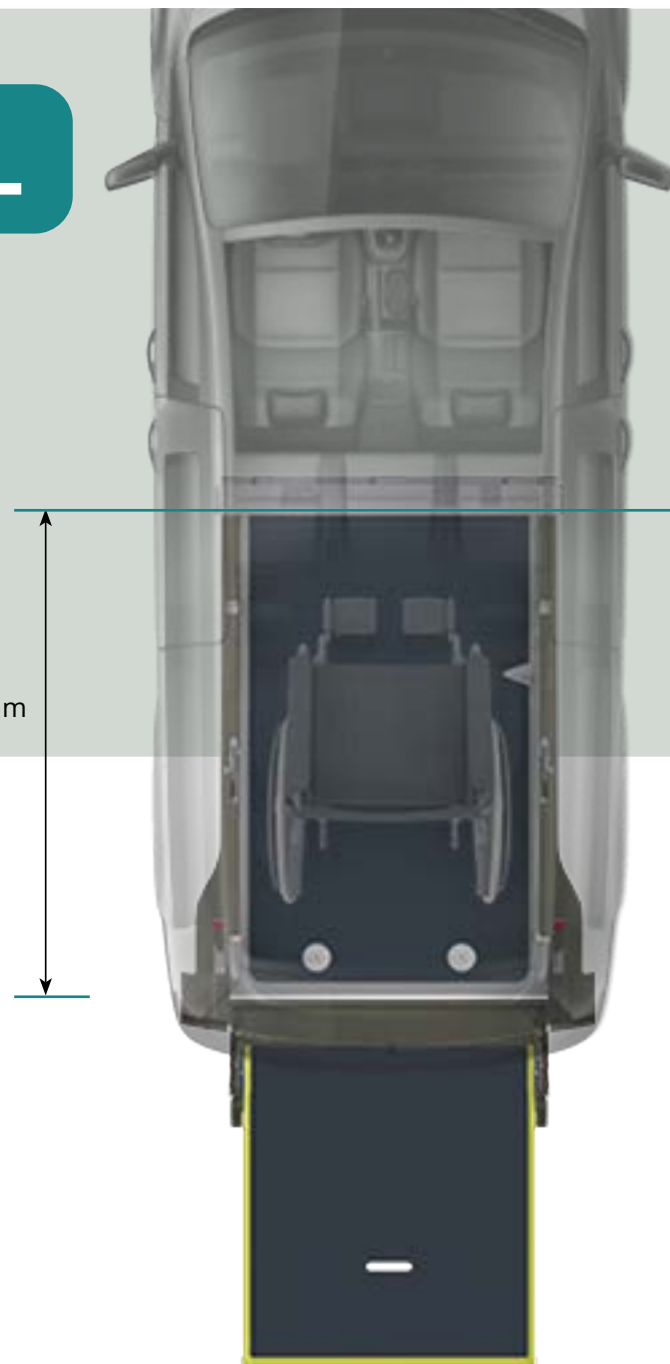


Base vehicle is a short wheelbase Ford Tourneo Connect

CONNECT GRAND



1 280 – 1 330 mm



Base vehicle is a long wheelbase Ford Tourneo Connect Grand

CONNECT GRAND



1 380 – 1 850 mm



Whether you need a family-sized wheelchair accessible vehicle, or run a taxi company, we always have the right solution for you. Just choose.

L Floor: lowered floor stops at the back of the rear seats
XL Floor: lowered floor continues underneath the rear seats, up to the back of the front seats

Ford Tourneo Connect FlexiRamp™

The only genuine FlexiWAV comes with FlexiRamp™ from Alfred Bekker API

S



L



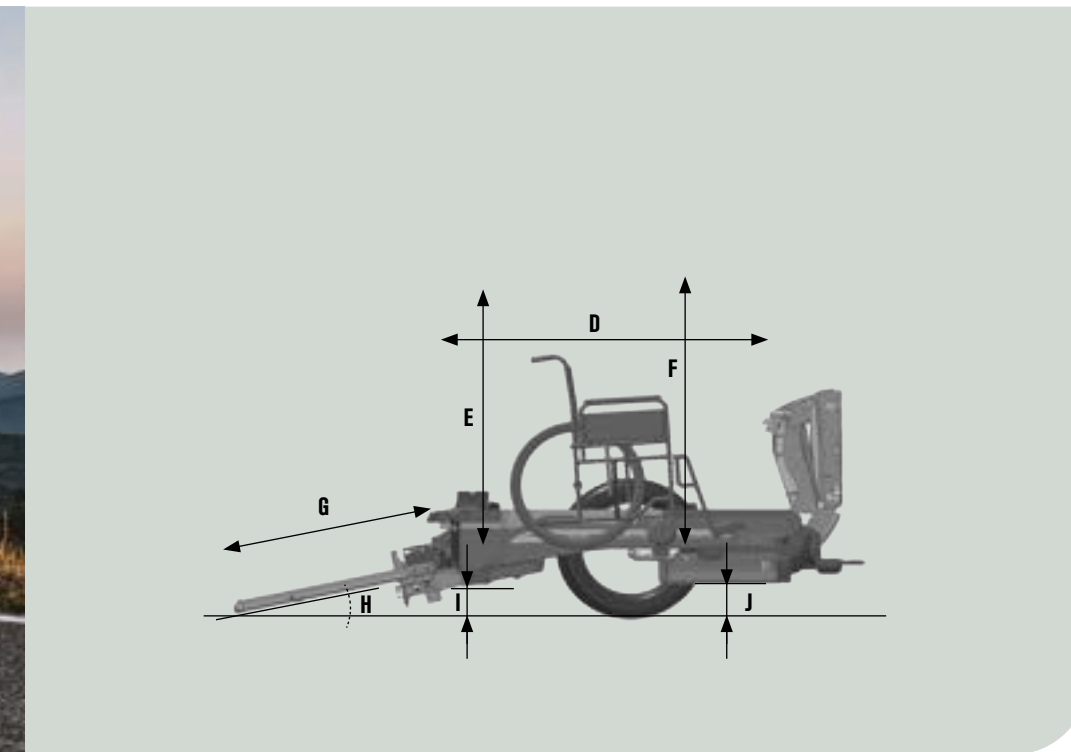
XL



XL is also available with two slim seats in the rear, allowing a mid-row position for the wheelchair user



TECHNICAL INFORMATION



SEATING OPTIONS

	OEM seats	OEM seats	OEM seats	OEM seats	New seats 2nd row	New seats 2nd row + TFS	New seats 2nd row + OEM seats 3rd row	Tip & Fold Seats (TFS)	OEM seats 3rd row
	2 ♿+1 ♿	3 ♿+1 ♿	5 ♿+1 ♿	5 ♿+0 ♿	4 ♿+1 ♿	6 ♿+0 ♿	6 ♿+0 ♿	7 ♿+0 ♿	7 ♿+0 ♿
S	✓	✓	✗	✓	✗	✗	✗	✗	✗
L	✓	✓	✓	✓	✗	✗	✗	✓	✓
XL	✓	✓	✓	✓	✓	✓	✓	✓	✓

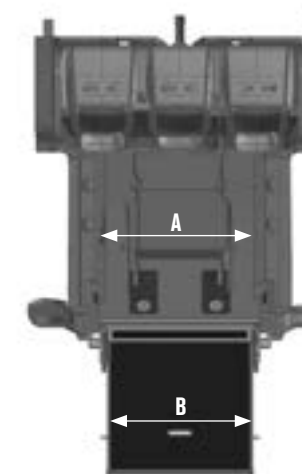
DIMENSIONS

	S	L	XL
A	815 mm	815 mm	815 mm
B	780 mm	780 mm	780 mm
C	635 mm	-	635 mm
D	1 490 mm	1 280 ^{*1} mm	1 380 - 1 710 ^{*2} mm
E	1 420 mm	1 420 mm	1 420 mm
F	1 380 mm	1 380 mm	1 380 mm
G	1 050 mm	1 050 mm	1 050 mm
H	13°	12 - 14°	12 - 14°
I	190 mm	195 mm	190 mm
J	185 mm	200 mm	185 mm
K	-	-	580 mm

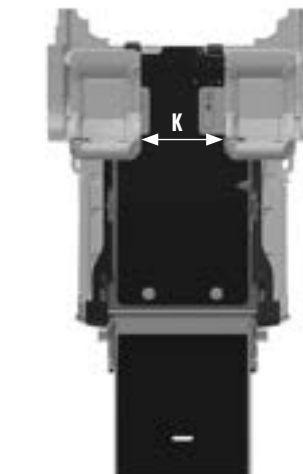
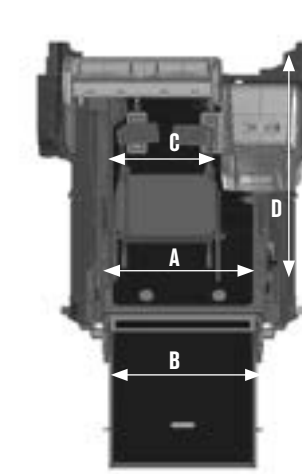
^{*1} 1 330 mm - removed closing plate

^{*2} 1 850 mm - removed bench seat

L



S XL





conversions without limits

 0800 334 5126
sales@alfredbekker.com
alfredbekker.com